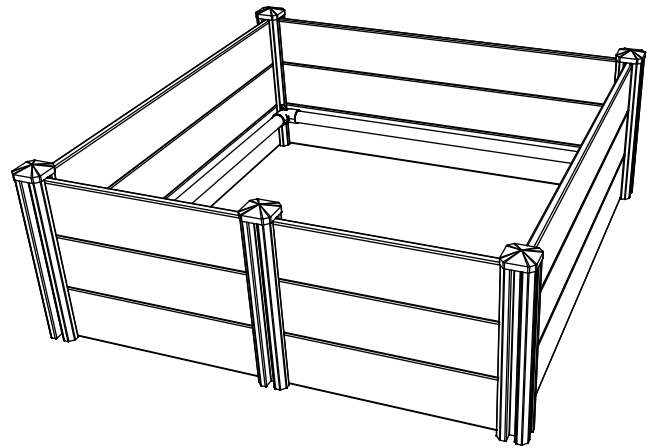

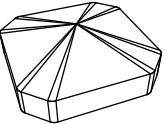


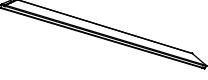

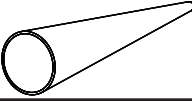
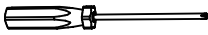



# PREMIUM WHELPING BOX

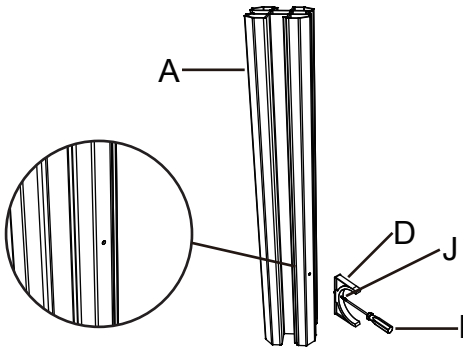


## Whelping Box---Parts List

	A	5	76 x 76mm Post
	B	5	76 x 76mm Post Cap
	C	4	90° Rail Connector
	D	4	Rail Connector Clamp
	E	9	152 x 22mm Panel - L
	F	6	152 x 22mm Panel - S
	H	4	Round Rail
	I	1	Screwdriver
	J	5	Screws

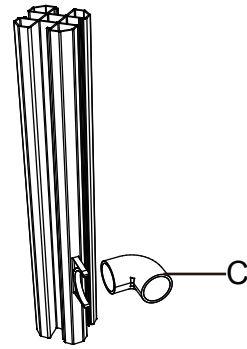
# Assembly Instructions

## Step 1



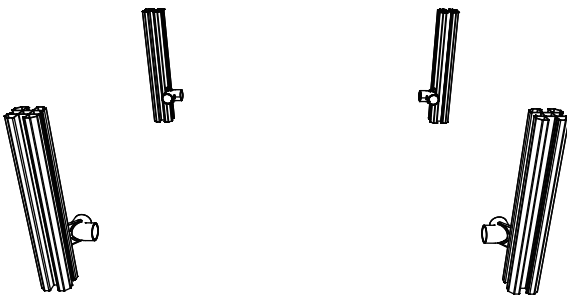
According to the reserved hole on the 76 x 76mm Post, screw the Rail Connector Clamp on the 76 x 76mm Post.

## Step 2



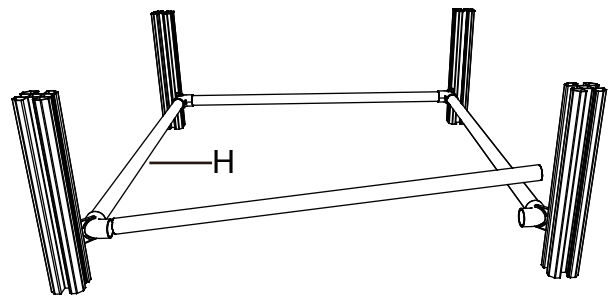
Place the 90° Rail Connector on the Rail Connector Clamp.

## Step 3



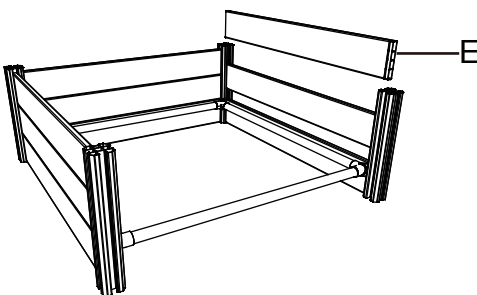
Repeat Step 1 and Step 2

## Step 4



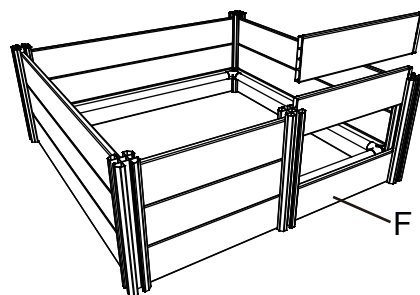
Insert the Round Rail into the 90° Rail Connector to connect the 4 sets of 76 x 76mm Posts.

## Step 5



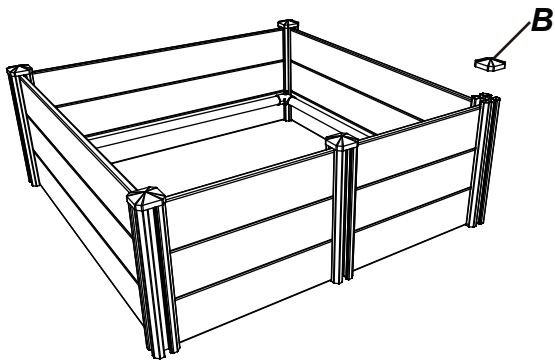
Use the 152 x 22mm Panel - L to assemble the three side panels of the Whelping Box.

## Step 6



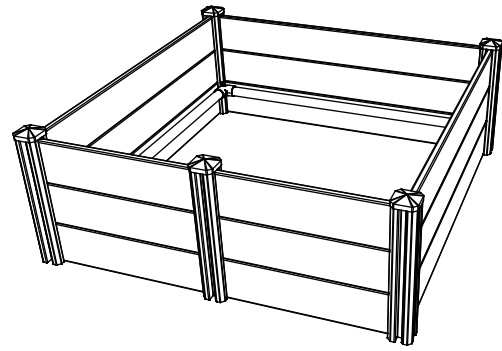
Use the 152 x 22mm Panel - S and 76 x 76mm Post to assemble the front door of the Whelping Box.

Step 7



Place all five 76 x 76mm Post Caps on the 76 x 76mm Posts.

Step 8



Installation Complete.

## Drawing

